

**PRODUCT CODE: TTH100**  
TRAY HANGER



**DESCRIPTION**

100mm Tray Hanger

**FINISH**

Pre-Galvanised

**MATERIAL**

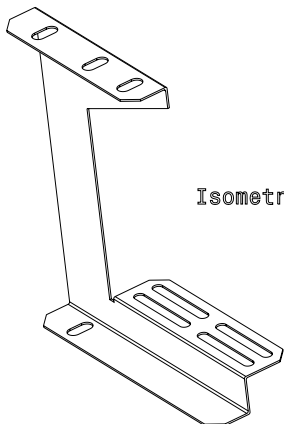
Pre-Galvanised Steel

**PACKAGING**

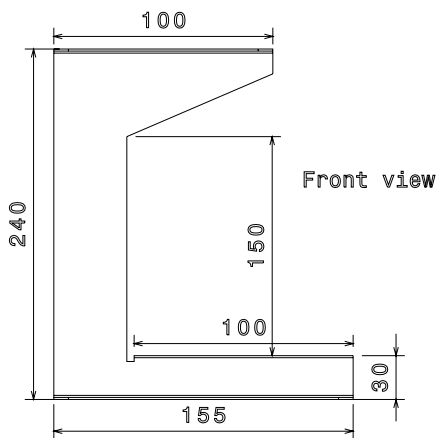
Packed in qty 20

**ADDITIONAL NOTES**

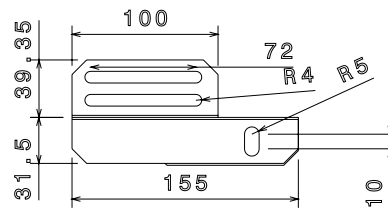
Multiple or single balanced fixing points  
Compliant to LU Standard 1-085 (for use on surface & sub-surface locations)



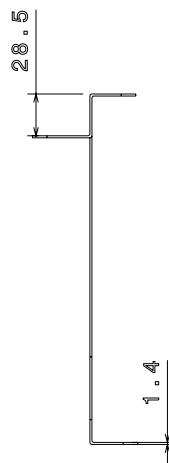
Isometric view



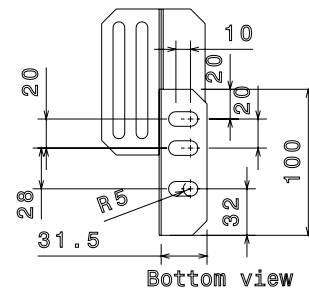
Front view



Top view



Side view



Bottom view